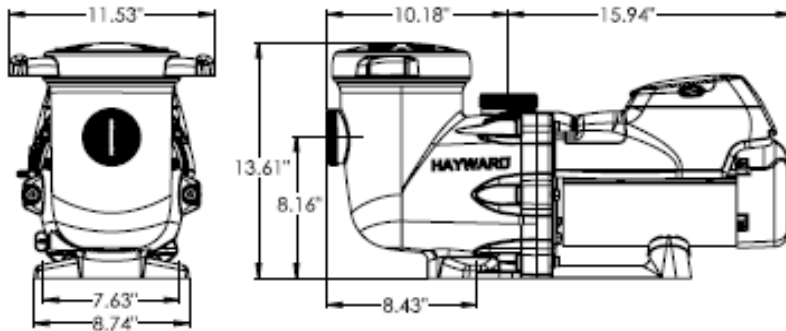


# TRISTAR VS C SINGLE PHASE PUMP



Digital control interface can be rotated on the pump or detached and wall-mounted for convenient access and viewing.



**Fully programmable digital interface** features a 24-hour clock, 8 custom speed and timer functions and password-protected settings.

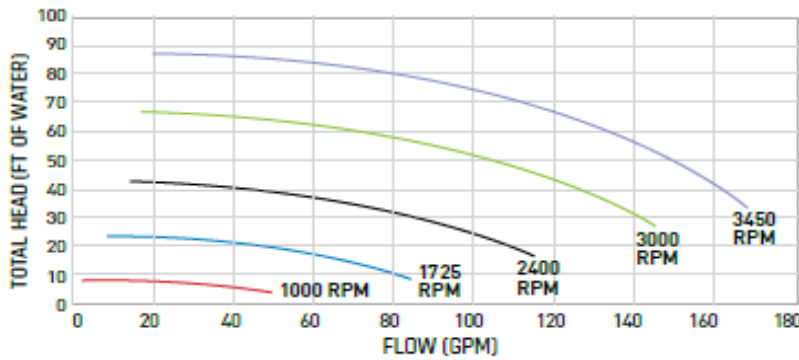
**Seamlessly integrates** with Hayward® OmniLogic

**Large, no-rib strainer basket** extends time between cleanings and ensures easy debris removal

**Permanent magnet, totally enclosed fan-cooled motor** provides maximum efficiency and reliability

**2" x 2½" union connections** simplify installation and servicing

**Interchangeable pump bases** allow for easy retrofit installations



## TECHNICAL SPECIFICATIONS

PART NUMBER	DESCRIPTION	SPEED RANGE	VOLTAGE	CARTON QUANTITY
HCP2500VSP	TRISTAR* VS C	600-3450 RPM	230V SINGLE PHASE	1

# HydroTher

[www.HydroTher.com](http://www.HydroTher.com)

5170A TIMBERLEA BLVD., MISSISSAUGA, ONTARIO, CANADA L4W 2S5

Phone: (905) 890-3111

Toll Free: 1 (800) 891-5811