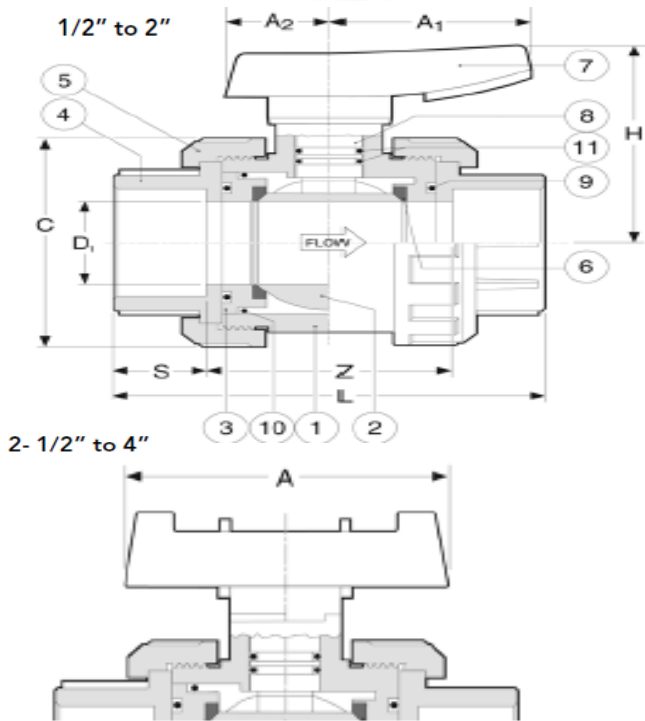


# XLT TRUE UNION BALL VALVES



## features

### 230 psi Working Pressure

- 230 psi for 1/2" to 2" valves
- 150 psi for 2-1/2" to 4" valves

### True Union Design

- Installation and maintenance is fast and inexpensive
- Valves may be rotated 360° to position handle

### Fully Blocking

- Downstream union nut may be safely disassembled for piping maintenance while valve is closed off under full system pressure.

### PTFE Seats

- PTFE seats provide tight sealing, smooth operation and low stem torques

### Double Stem O-Rings

- Reduces the possibility of stem leakage

### Full Port

- Low pressure losses

### "Combo" Ends Available

- 1/2" to 2" valves may be ordered with both threaded and socket ends in the box

### Built-in Spanner Wrench

- For removing or tightening the seat carrier

## DIMENSIONS INCHES

Size	A <sub>1</sub>	A <sub>2</sub>	A	C	D	H	Laying Length				WORKING PRESSURES PSI			
							L <sub>S</sub> Socket	L <sub>T</sub> Thd	L <sub>F</sub> Flanged	S Socket	Z	0-25°C 32-77°F	40°C 104°F	60°C 140°F
1/2"	1.75	0.76	-	1.97	0.57	1.92	3.61	3.08	5.78	0.87	1.81	230	150	45
3/4"	1.93	0.88	-	2.32	0.78	2.21	4.13	3.58	6.72	1.00	2.05	230	150	45
1"	1.78	1.19	-	2.68	0.98	2.49	4.79	4.17	7.31	1.12	2.36	230	150	45
1-1/4"	2.77	1.20	-	3.15	1.25	2.93	5.21	4.76	8.12	1.25	2.68	230	150	45
1-1/2"	2.91	1.54	-	3.70	1.57	3.42	5.97	5.63	9.30	1.37	3.07	230	150	45
2"	3.36	1.53	-	4.53	1.97	3.80	6.69	6.65	10.44	1.50	3.66	230	150	45
2-1/2"	-	-	6.64	5.71	2.56	5.43	9.00	8.96	12.32	1.75	5.47	150	100	45
3"	-	-	6.64	5.71	2.82	5.43	9.23	9.49	13.65	1.87	5.47	150	100	45
4"	-	-	8.03	8.27	3.76	6.54	11.11	10.86	16.37	2.25	6.30	150	100	45

Maximum Temp. 60°C (140°F)

## PARTS

▲ Recommended Spare Parts

No.	Part	Pcs.	Materials
1	Body	1	PVC
2	Ball	1	PVC
3	Seat Carrier	1	PVC
4	End Connector	2	PVC
5	Union Nut	2	PVC
6▲	Ball Seat	2	PTFE
7	Handle	1	ABS
8	Stem	1	PVC
9▲	Face O-Ring	2	EPDM, FPM (Viton®)
10▲	Carrier O-Ring	2	EPDM, FPM (Viton®)
11▲	Stem O-Ring	2	EPDM, FPM (Viton®)

# HydroTher

www.HydroTher.com

5170A TIMBERLEA BLVD., MISSISSAUGA, ONTARIO, CANADA L4W 2S5

Phone: (905) 890-3111



Toll Free: 1 (800) 891-5811