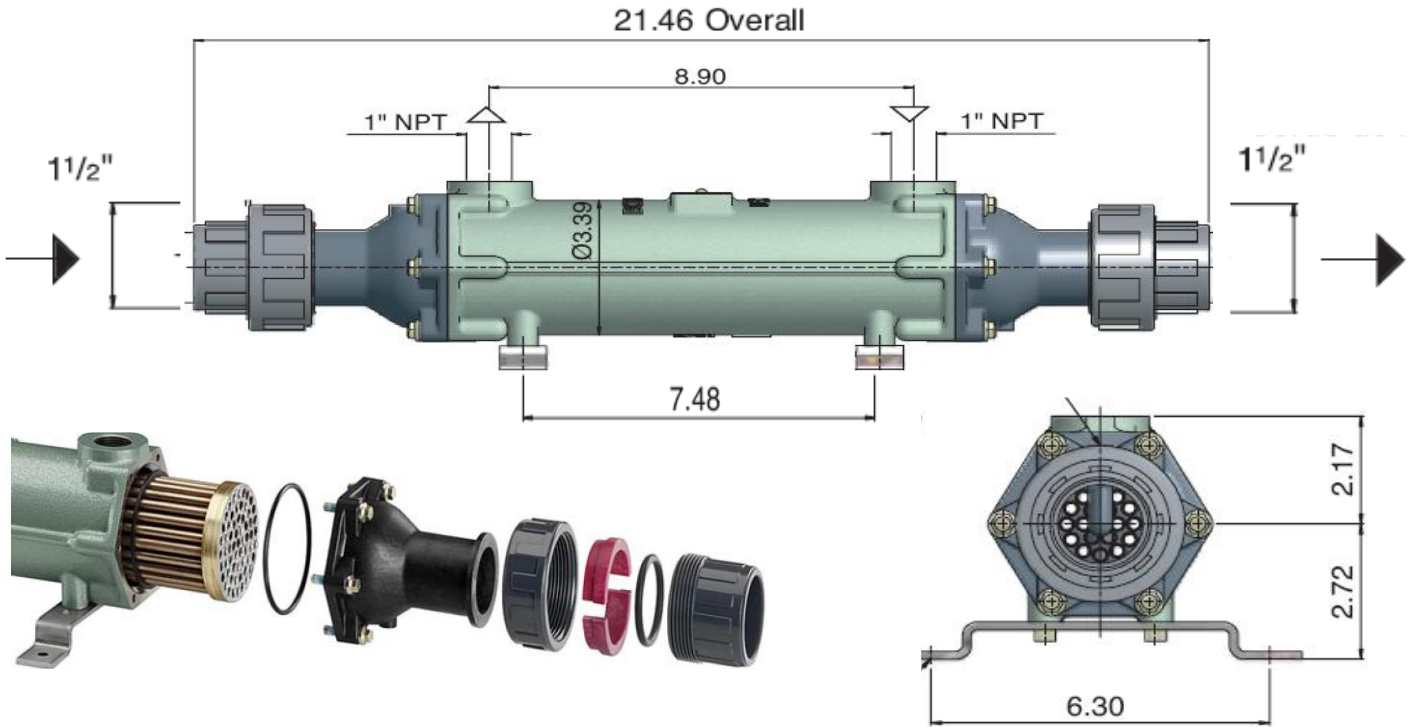


SHELL AND TUBE HEAT EXCHANGER



BOWMAN®

100 YEARS OF HEAT TRANSFER TECHNOLOGY



Model	Pool Volume Gallons	Boiler Flow GPM	Pool Flow GPM	Heat Load (BTU)		
				180F	140F	
For use with Boilers						
CN135	11,000	10.5	45	135,000	75,000	
CN200	20,000	15.8	66	240,000	135,000	
CN400	40,000	23.8	93	340,000	190,000	
CN650	60,000	31.7	127	545,000	310,000	
CN1000	100,000	54.5	222	1,000,000	825,000	
CN1500	156,000	84.5	330	1,900,000	1,050,000	
CN2000	240,000	126	500	2,650,000	1,500,000	

HydroTher

www.HydroTher.com

5170A TIMBERLEA BLVD., MISSISSAUGA, ONTARIO, CANADA L4W 2S5

Phone: (905) 890-3111

Toll Free: 1 (800) 891-5811