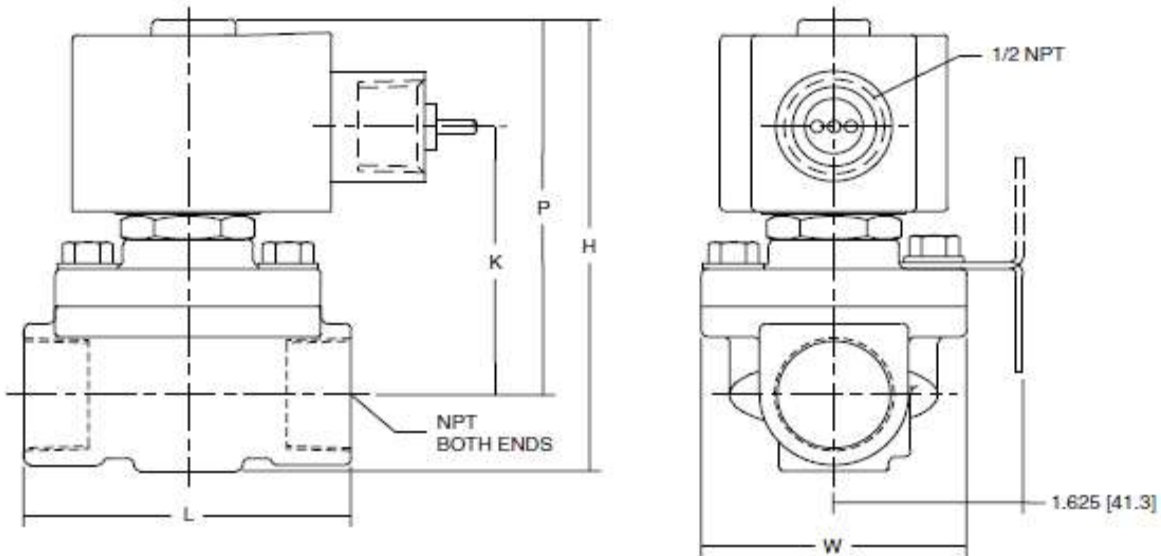


SOLENOID VALVE FOR EROSION FEEDER



Features

- Wide range of pressure ratings, sizes, and resilient materials provide long service life and low internal leakage
- High Flow Valves for liquid, corrosive, and air/inert gas service
- Industrial applications include:
 - Car wash
 - Laundry equipment
 - Air compressors
 - Industrial water control
 - Pumps



SIZE	H Dim	K Dim	L Dim	P Dim	W Dim	Model #
1/2"	3.38"	1.94"	2.75"	2.8"	2.28"	8210G2V
3/4"	4.16"	2.66"	3.84"	3.52"	2.75"	8210G3V

HydroTher

www.HydroTher.com

5170A TIMBERLEA BLVD., MISSISSAUGA, ONTARIO, CANADA L4W 2S5

Phone: (905) 890-3111



Toll Free: 1 (800) 891-5811