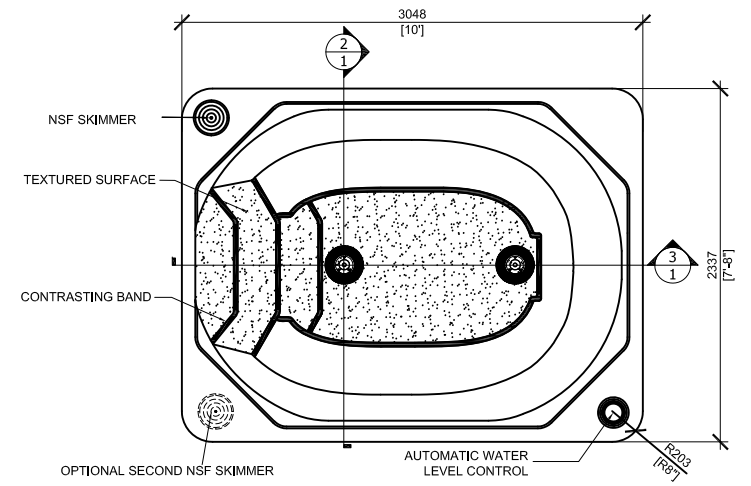


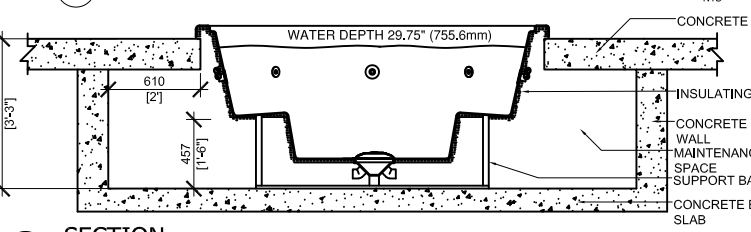
SHELL DIMENSIONS			
LENGTH	WIDTH	HEIGHT	VOLUME
120" [3048mm]	92" [2337mm]	42.5" [1080mm]	@650 G/ 2461 L

WEIGHT EMPTY	WEIGHT FULL	SURFACE AREA
950 lbs/ 431 kg	6371 lbs/ 2890 kg	48 sq.ft. [4.32sq.m]

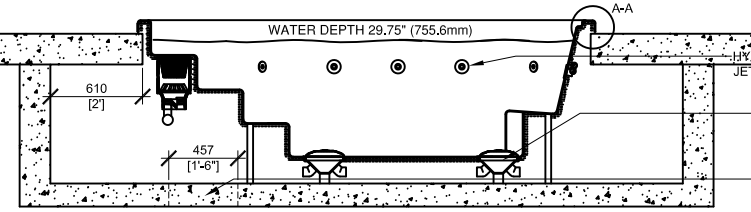
NOTE: Dimensions may differ up to 1/2" (13mm) between Spas. Exact measurements should be obtained from delivered unit.



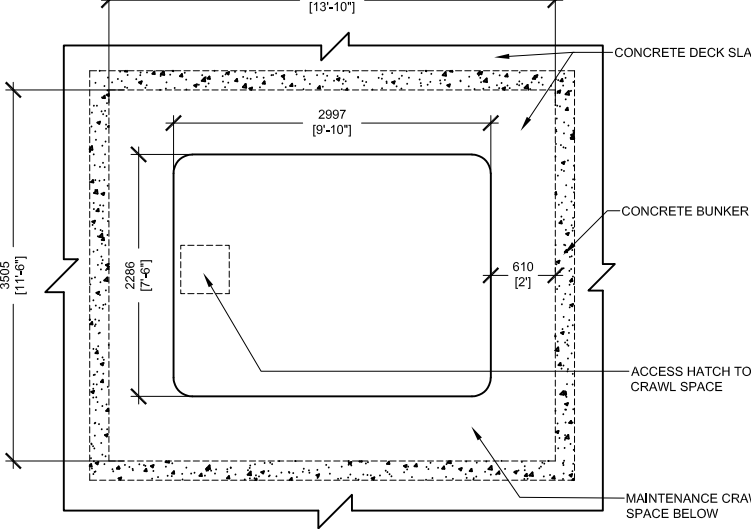
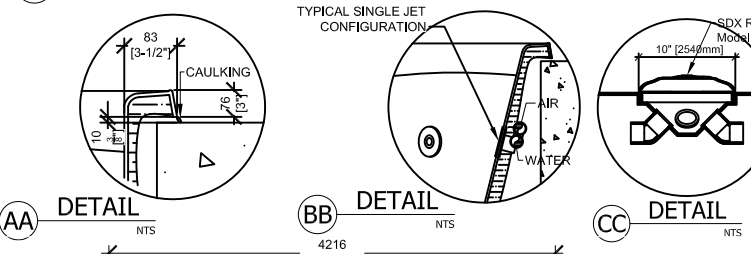
1 TOP VIEW



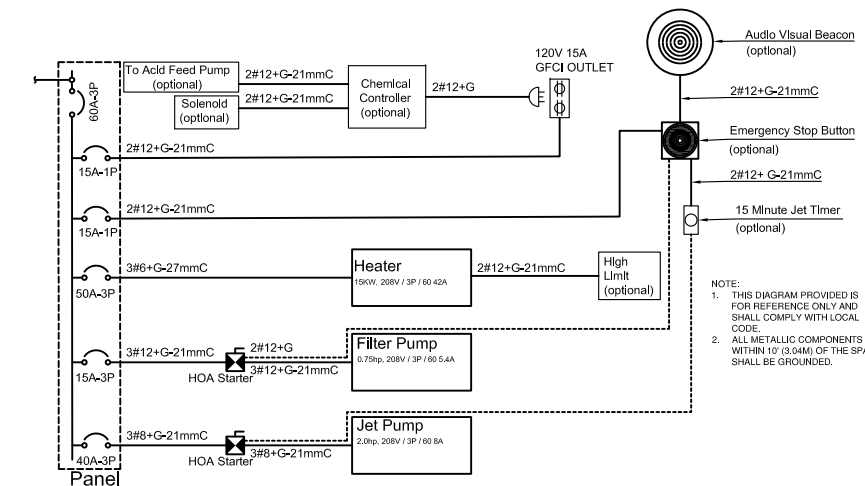
2 SECTION



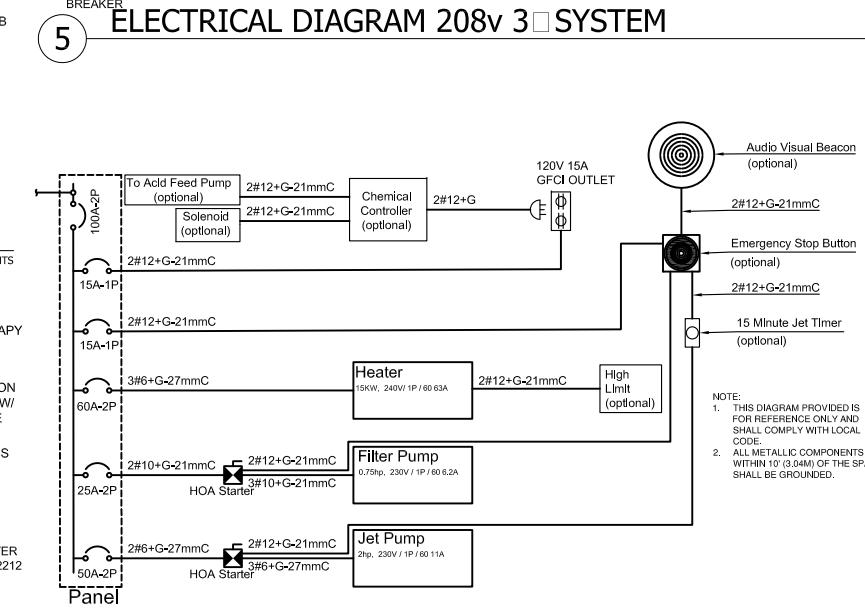
3 SECTION



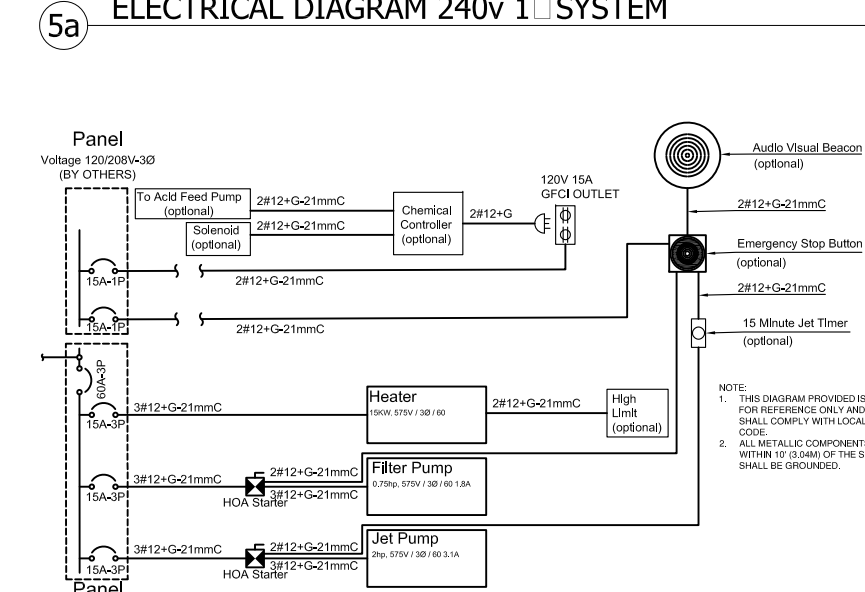
4 CONCRETE BUNKER



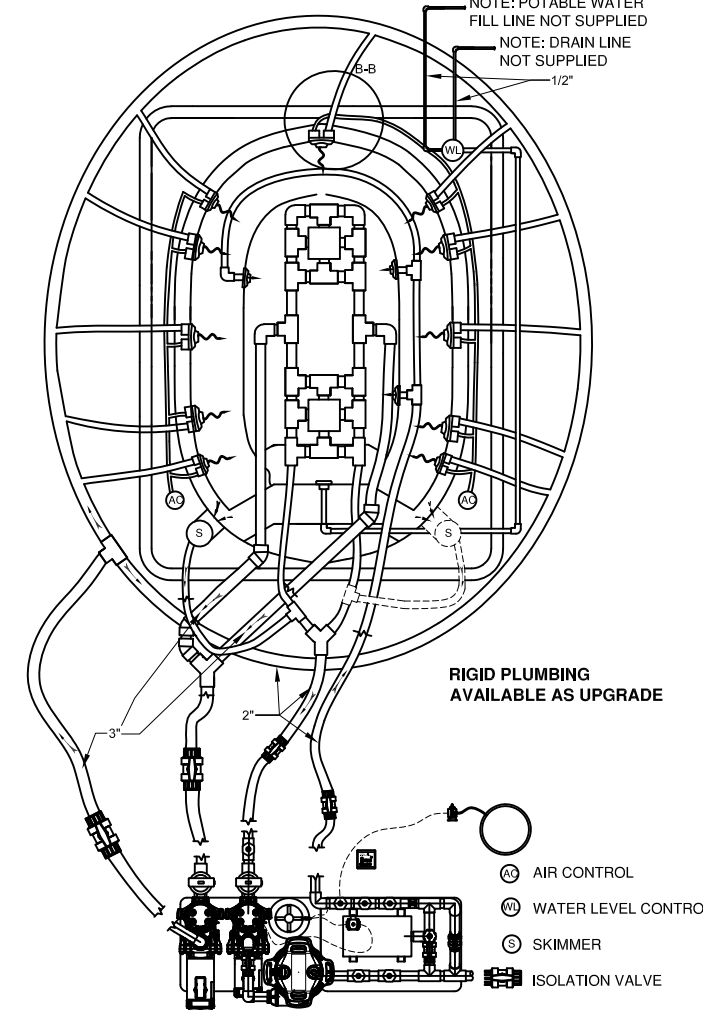
5 ELECTRICAL DIAGRAM 208v 3 SYSTEM



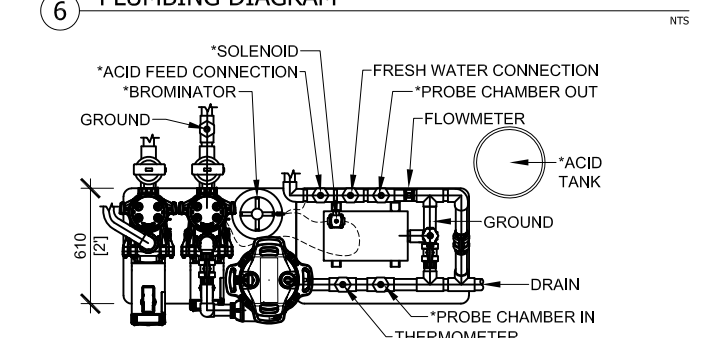
5a ELECTRICAL DIAGRAM 240v 1 SYSTEM



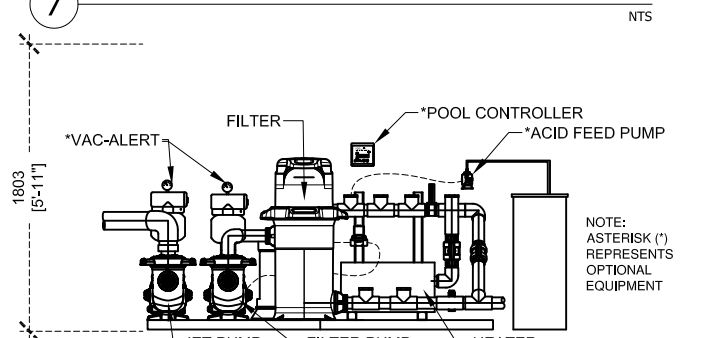
5b ELECTRICAL DIAGRAM 575v 3 SYSTEM



6 PLUMBING DIAGRAM



7 MECHANICAL PACK TOP VIEW



8 MECHANICAL PACK FRONT VIEW

- SPECIFICATIONS**
- The shell of the hot tub shall be manufactured of vacuum formed acrylic (.187 sheet) in POLAR WHITE. Hot tub shell overall dimensions: 120" x 92" x 42.5" deep. See dimensional information on this sheet.
 - The acrylic shall be further reinforced with fiberglass resins but may require additional on-site bracing supports (customer's responsibility) under the steps and seats.
 - The shell shall have the following fittings:
 - 7 Large hydrotherapy jets
 - 4 Small hydrotherapy jets
 - 1 Skimmer, (NSF Listed)
 - 2 Built in bottom drain sumps with removable grate
 - 2 Air control valves
 - 1 Water level tank fitting
 - 1 Water level controller
 - 3 Filtered water return inlets
 - The hot tub will be insulated with a coating of polyurethane foam, factory plumbed and hydrostatically tested.
 - Recommended HCSP-4 mechanical support system will be shipped on a separate plastic base and shall consist of:
 - 1 3/4hp filter pump (NSF Listed)
 - 1 200 sq.ft. cartridge filter (NSF Listed)
 - 1 2 hp hydrotherapy booster pump (NSF Listed)
 - 1 12 kW electric heater c/w flow switch
 - 2 Inline thermometers c/w thermowell
 - 1 Inline flow-meter
 - 1 Water level controller with overflow (located at the shell)

- Optional Items
 - Waterline Tile
 - 12V Underwater LED Light
 - Second Skimmer
 - External Hi-Limit Switch
 - Electronic Countdown Timer
 - Emergency Push/Pull Button
 - Audio Visual Beacon
 - Safety Vacuum Release Systems
 - Chemical Automation System
 - Substitute for Second Feed Pump and Tank UV Sanitizer
 - Substitute for Sand Filter (NSF Listed)
 - Rigid Plumbing
 - Additional R12 Insulation
 - P-Rail with Flanges
 - P-Rail with Anchors
 - Safety Cover 4"-3" Tapered Hard Cover
 - Warranties shall be 5 year on the shell structure, 2 years on the acrylic surface and one year on the plumbing, labor, accessories and parts. On-site plumbing is NOT covered.
 - Installation items NOT covered by this specification and considered "by others" are:
 - Plumbing services including sanitary and water to the equipment room. Plumbing between the spa shell and mechanical equipment location. Heating and ventilation in the equipment room.
 - Electrical service connections from the building services to the electrical panel(s), motor, heater and component connections including motor starters, timers, push/pull switches, A/V alarm, grounding of all electrical components and GFCI's.
 - Decking and access steps including deck drains.
 - Supports under the seats and steps of the shell.
- NOTE: All equipment UL and UL-C approved. All fittings NSF and ANSI/ASME LISTED. All submerged suction fittings are VGB Compliant.**

THIS DRAWING AND THE IDEAS, CONCEPTS, ILLUSTRATIVE AND WRITTEN INFORMATION REPRESENTED THEREBY ARE THE PROPERTY OF HYDROTHER. REPRODUCTION OF ALL OR ANY PART OF THIS DRAWING OR PRINTS THEREOF, OR ANY OTHER UTILIZATION OF ANY CONFIDENTIAL AND PROPRIETARY PROPERTY CONTAINED HEREIN WITHOUT THE PERMISSION OF HYDROTHER IS FORBIDDEN.

No.	Date	Description	Revisions

HYDROTHER
5170A TIMBERLEA BLVD.
MISSISSAUGA, ONT.
L4W 2S5
1 800 891 5811
WWW.HYDROTHER.COM

Project	Hydrother
Title	H-1100C
Drawn By:	ML
Scale:	NTS
Date:	Jan 2019
Ch'd By:	BRB
Job No.:	H1100-19

HYDRAULIC DESIGN

SPA VOLUME	650 usg
	2461 Litre
TURNOVER	9.42 minutes
FILTER FLOW RATE	69 usgpm @ 60' T.D.H.
	261.2 LPM @ 18.28 M hd
FILTER AREA	200 sq.ft.
	18.56 sq.m.
OPERATING	@0.345 usgpm/sq.ft.
	@0.234 L/s/m²
FILTER PUMP	3/4 hp

11 HYDROTHERAPY FITTINGS
 7 LARGE OPERATING @ 14 usgpm/53 Lpm
 4 SMALL OPERATING @ 8 usgpm/30.3 Lpm
 HYDROTHERAPY FLOW RATE
 130 usgpm @ 60' TDH
 492.1 Lpm @ 18.28 M hd
 HYDROTHERAPY PUMP 2 hp

TOTAL FLOW RATE
 199 usgpm/753.3 Lpm
 TOTAL OPEN AREA OF MAIN DRAINS
 86.402 sq.in./ 557.43 sq.cm.
 VELOCITY THROUGH MAIN DRAINS
 .739 ft.sec/ 0.225m. sec