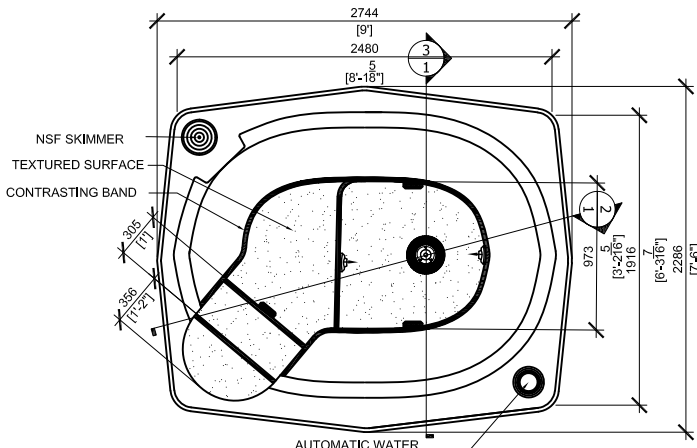


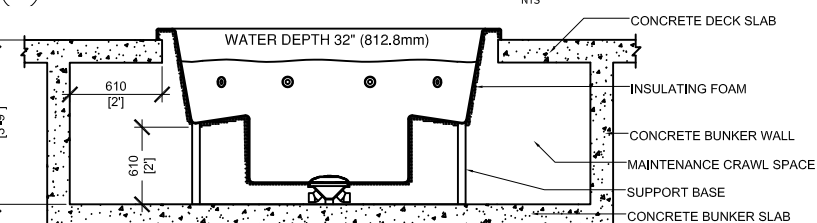
SHELL DIMENSIONS		
LENGTH	WIDTH	HEIGHT
108" [2743mm]	90" [2286mm]	48.5" [1232mm]
VOLUME @575 G/L / 2177 L		

WEIGHT EMPTY	WEIGHT FULL	SURFACE AREA
1080 lbs/ 490 kg	5580 lbs/ 2536 kg	37.5 sq.ft [3.48sq.m]

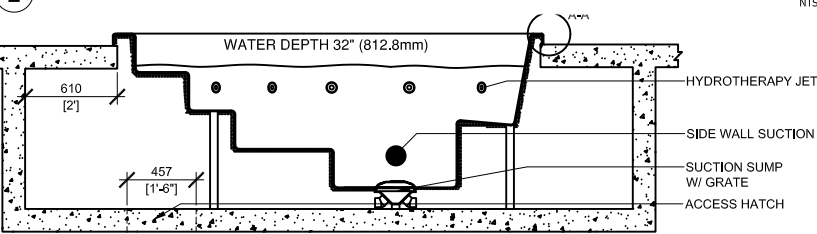
NOTE: Dimensions may differ up to 1/2" (13mm) between Spas. Exact measurements should be obtained from delivered unit.



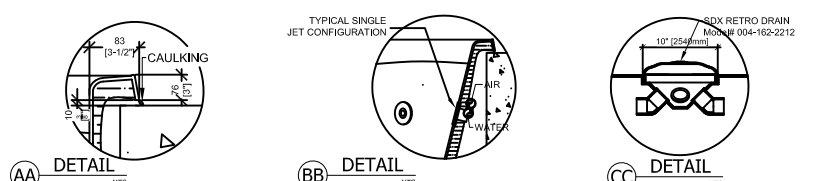
1 TOP VIEW



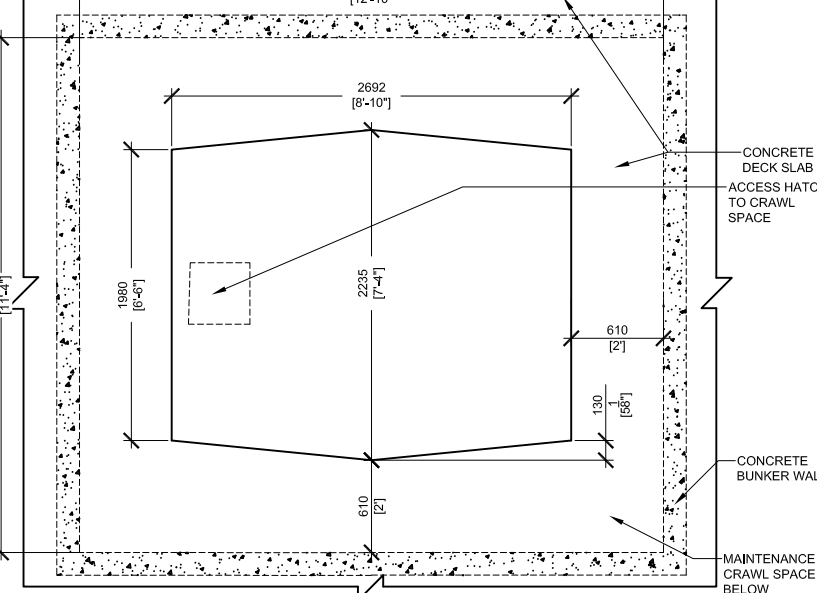
2 SECTION



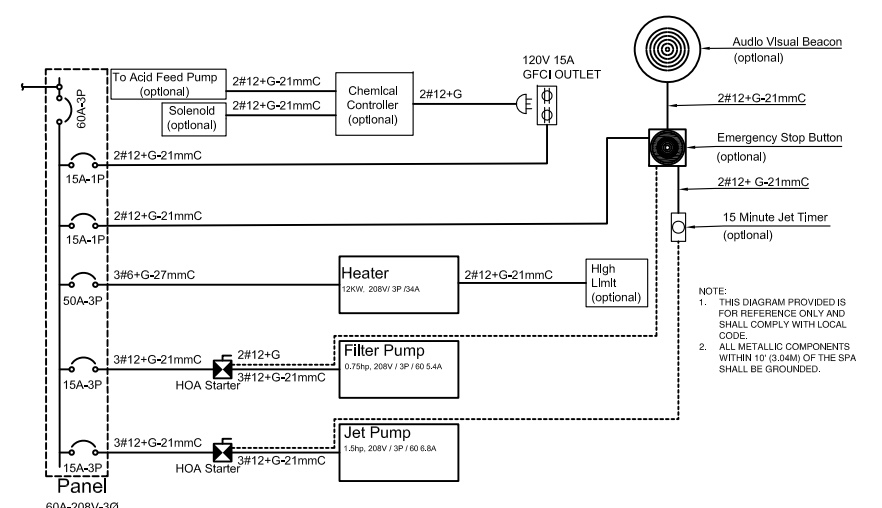
3 SECTION



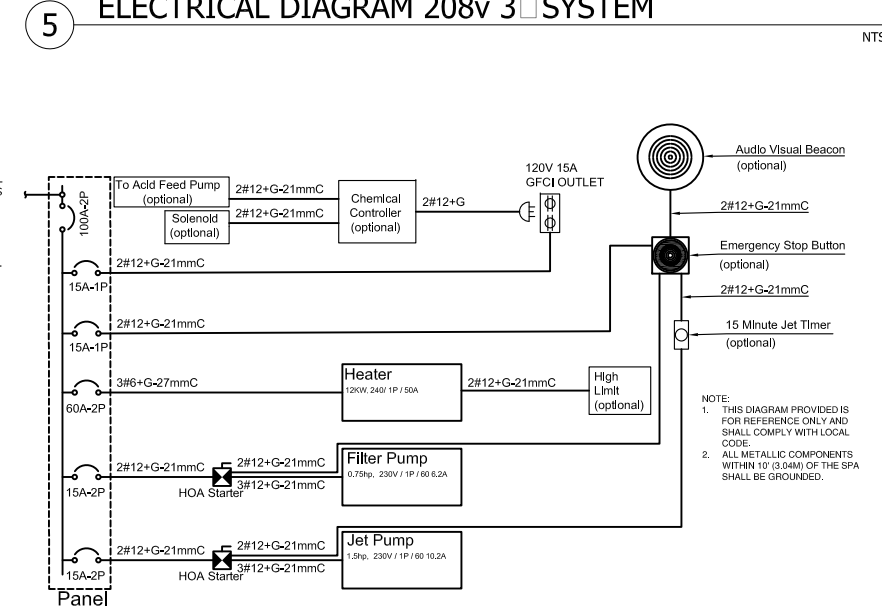
AA DETAIL, BB DETAIL, CC DETAIL



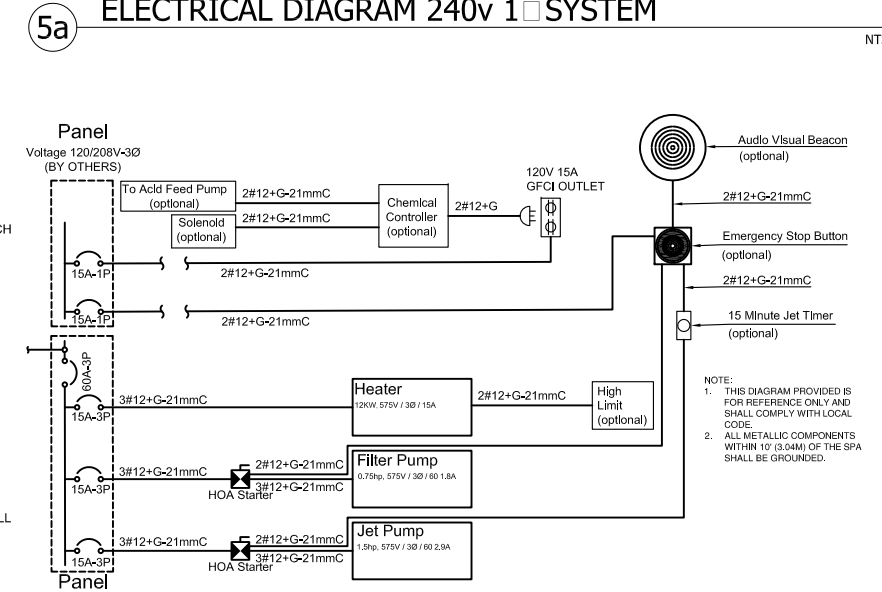
4 CONCRETE BUNKER



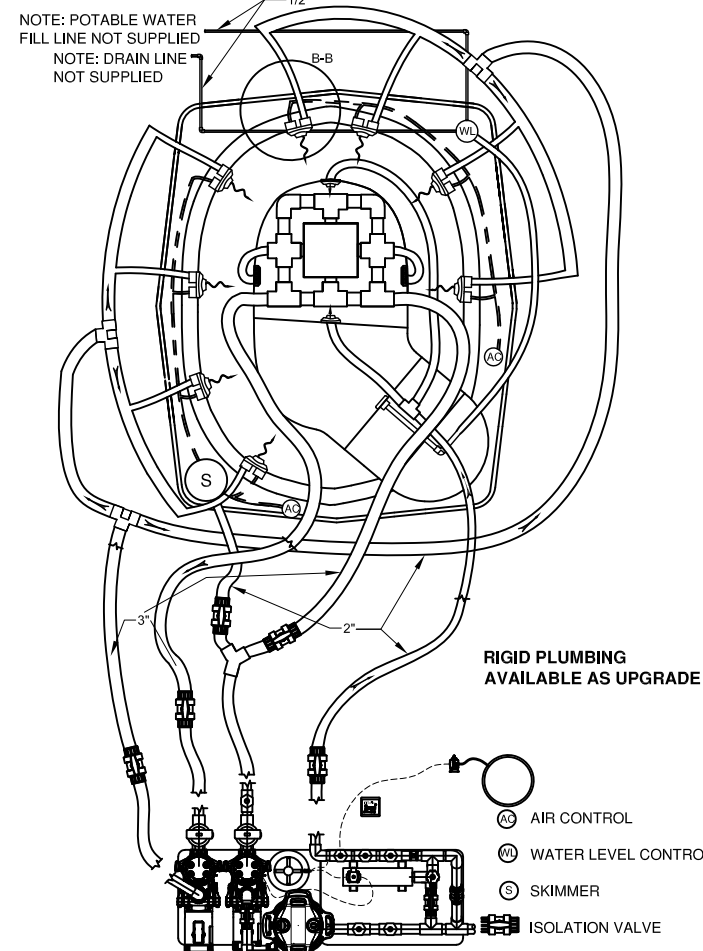
5 ELECTRICAL DIAGRAM 208v 3 SYSTEM



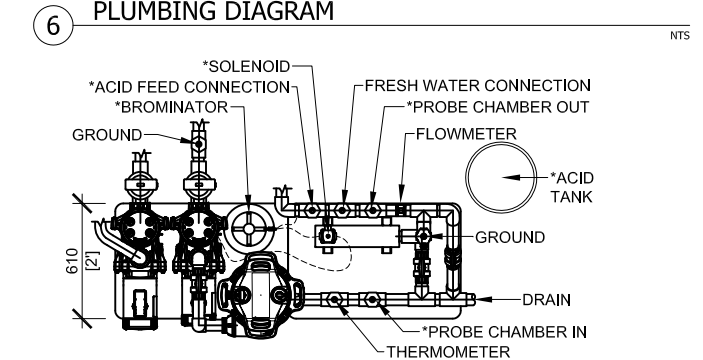
5a ELECTRICAL DIAGRAM 240v 1 SYSTEM



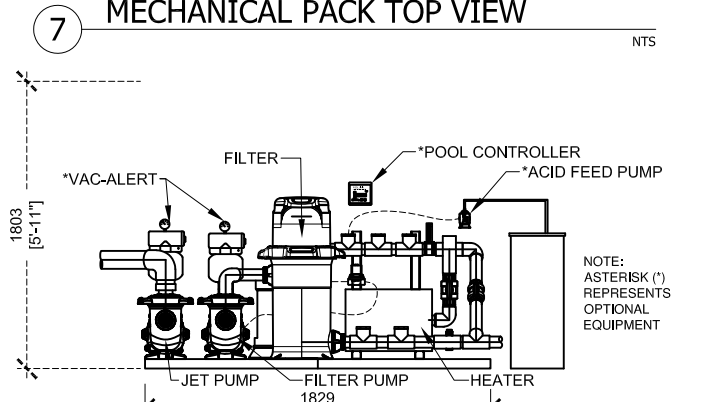
5b ELECTRICAL DIAGRAM 575V 3 SYSTEM



6 PLUMBING DIAGRAM



7 MECHANICAL PACK TOP VIEW



8 MECHANICAL PACK FRONT VIEW

SPECIFICATIONS

- The shell of the hot tub shall be manufactured of vacuum formed acrylic (.187 sheet) in POLAR WHITE. Hot tub shell overall dimensions; 108" x 90" x 48.5" deep. See dimensional information on this sheet.
- The acrylic shall be further reinforced with fiberglass resins but may require additional on-site bracing supports (customer's responsibility) under the steps and seats.
- The shell shall have the following fittings:
 - 8 Large hydrotherapy jets
 - 1 Skimmer, (NSF Listed)
 - 2 Side wall fittings (ANSI/ASME A112.19.8-2007 Listed)
 - 1 Built in bottom drain sumps with removable grate
 - 2 Air control valves
 - 1 Water level tank fitting
 - 1 Water level controller
 - 2 Filtered water return inlets
- The hot tub will be insulated with a coating of polyurethane foam, factory plumbed and hydrostatically tested.
- Recommended HCSP 3 mechanical support system will be shipped on a separate plastic base and shall consist of:
 - 1 3/4 hp filter pump (NSF Listed)
 - 1 150 sq.ft. cartridge filter (NSF Listed)
 - 1 1-1/2 hp hydrotherapy booster pump (NSF Listed)
 - 1 12 kW electric heater c/w flow switch
 - 2 Inline thermometers c/w thermowell
 - 1 Inline flow-meter
 - 1 Water level controller with overflow (located at the shell)
- Optional Items
 - Waterline Tile
 - 12V Underwater LED Light
 - External Hi-Limit Switch
 - Electronic Countdown Timer
 - Emergency Push/Pull Button
 - Audio Visual Beacon
 - Safety Vacuum Release Systems
 - Chemical Automation System
 - Substitute for Second Feed Pump and Tank
 - UV Sanitizer
 - Substitute for Sand Filter (NSF Listed)
 - Gas Heater
 - Rigid Plumbing
 - Additional R12 Insulation
 - P-Rail with Flanges
 - P-Rail with Anchors
 - Safety Cover 4'-3" Tapered Hard Cover
- Warranties shall be 5 year on the shell structure, 2 years on the acrylic surface and one year on the plumbing, labor, accessories and parts. On-site plumbing is NOT covered.
- Installation items NOT covered by this specification and considered "by others" are:
 - Plumbing services including sanitary and water to the equipment room. Plumbing between the spa shell and mechanical equipment
 - Location, Heating and ventilation in the equipment room.
 - Electrical service connections from the building services to the electrical panel(s), motor, heater and component connections including motor starters, timers, push/pull switches, A/V alarm, grounding of all electrical components and GFCI's.
 - Decking and access steps including deck drains.
 - Supports under the seats and steps of the shell.

HYDRAULIC DESIGN

SPA VOLUME	575 usg
	2177 Litre
TURNOVER	12.7 minutes
FILTER FLOW RATE	54 usgpm @ 60' T.D.H.
	204.4 LPM @ 18.28 M hd
FILTER AREA	150 sq.ft.
	13.94 sq.m.
OPERATING	@0.36 usgpm/sq.ft.
	@0.244 L/S/m ²
FILTER PUMP	3/4 hp
8 HYDROTHERAPY FITTINGS	
8 LARGE OPERATING @	15.6 usgpm/59 Lpm
HYDROTHERAPY FLOW RATE	
	125 usgpm @ 50' TDH
	473.2 LPM @ 15.24 M hd
HYDROTHERAPY PUMP	1.5 hp
TOTAL FLOW RATE	
	179 usgpm/677.59 Lpm
TOTAL OPEN AREA OF MAIN DRAINS	
	61.24 sq.in. / 395.1 sq.cm.
VELOCITY THROUGH MAIN DRAINS	
	.89 ft/s / 0.27m/s



THIS DRAWING AND THE IDEAS, CONCEPTS, ILLUSTRATIVE AND WRITTEN INFORMATION REPRESENTED THEREBY ARE THE PROPERTY OF HYDROTHER. REPRODUCTION OF ALL OR ANY PART OF THIS DRAWING OR PRINTS THEREOF, OR ANY OTHER UTILIZATION OF ANY CONFIDENTIAL AND PROPRIETARY PROPERTY CONTAINED HEREIN WITHOUT THE PERMISSION OF HYDROTHER IS FORBIDDEN.

No.	Date	Description	Revisions

HYDROTHER
 5170A TIMBERLEA BLVD.
 MISSISSAUGA, ONT.
 L4W 2S5
 1 800 891 5811
 WWW.HYDROTHER.COM

Project	Hydrother
Title	H-1000C
Drawn By:	ML
Scale:	NTS
Date:	Jan 2019
Ch'd By:	BRB
Job No.:	H1000-19